

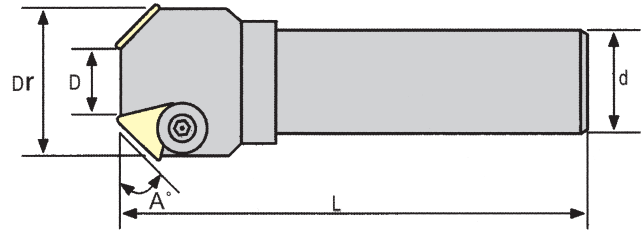
45° Chamfering End Mills



ORDER NO.	Cutter Dia.	Shank Dia.	Length	Capacity	Screw	Wrench	INSERT	WEIGHT (kg)	CODE NO.
TC12	25ø	12ø	110	3ø~25ø	M4	T15	TCMT16T304	0.2	6004-002
TC40	40ø	12ø	100	20ø~36ø	M4	T15	TCMT16T304		6004-003

45° Chamfering End Mills

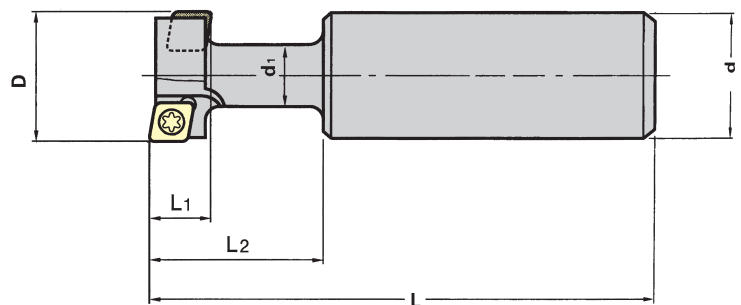
ISO CODE



ORDER NO.	A°	D	Dr	d	L	BLADE	INSERT	SCREW	WRENCH	CODE NO.
VCE-4521	45	5	21	16	120	1	TPUN1603	SCR-W1/4	WRN-M4L	6004-005
VCE-4531	45	10	31	20	120	2				6004-006
VCE-4550	45	20	50	25	130	3	TPUN2204	SCR-W5/16	WRN-M5L	6004-007
VCE-4532	45	6	32	32	150	1				6004-008
VCE-4563	45	35	63	25	150	3				6004-009

T-Slot End Mills

ISO CODE



ORDER NO.	D	L1	d	d1	L2	L	BLADE	INSERT	SCREW	WRENCH	WEIGHT	CODE NO.
VTE-2411	24	11	20	12	29	90	4	CCMT-060204	SCR-TS2.5	T8	0.19	6004-015
VTE-3114	31	14	25	15	42	110	4	CPMT-080204Z			0.36	6004-016
VTE-3918	39	18	32	19	49	120	4	CPMT-090308	SCR-TS4	T15	0.61	6004-017
VTE-4922	49	22	32	25	60	140	4	CPMT-120408	SCR-TS5	T20	0.82	6004-018