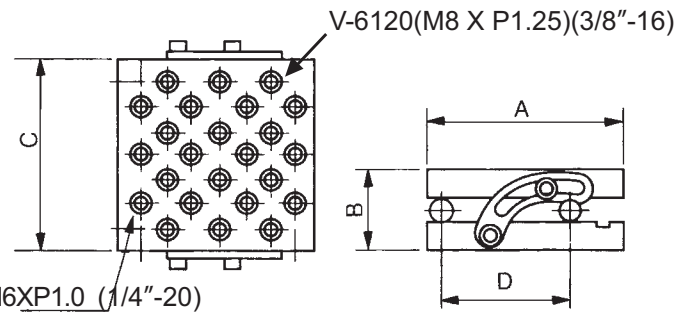
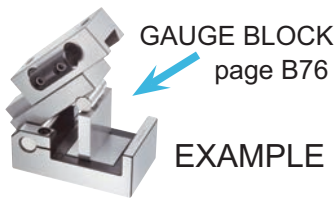




Design by the principles of SINE, angle grinding can be done well. High precision of parallelism within 0.002 mm and squareness within 0.005 mm. Setup and dressing time reduced to a bare minimum due to simplicity. (ANGLE 0° - 46°)

- Made of quality steel, hardened to HRC 55° - 56°
- Two hardened and ground side rails and one.
- Locking strap included.



ORDER NO.	A	B	C	D	N.W (kgs)	CODE NO.
V-47	98	66	177	75	8.4	2015-001
V-66	150	62	150	100	9.4	2015-002
V-6120	147	65	300	100	19.8	2015-003

# Compound Sine Plate



Made of quality steel, hardened to HRC 55°-62°, angles 0°~60° capacity.

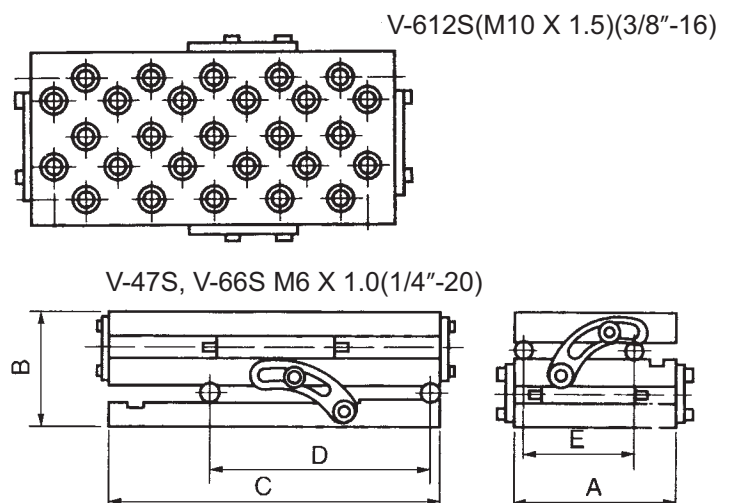
Minute angle step 0.2 built into the front gauge block roll eliminates steps in base plate.

Two end rails and one locking strap included

Tapped holes on the top.

Center distance of tools with 0.005 mm(0.0001")

V-612S within 0.008 mm(0.0003")



ORDER NO.	A	B	C	D	E	N.W (kgs)	CODE NO.
V-47S	100	100	175	125	75	9.9	2015-010
V-66S	150	100	150	100	100	12.4	2015-011
V-612S	150	100	300	100	100	23.7	2015-012