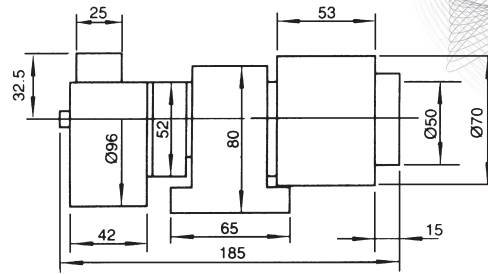
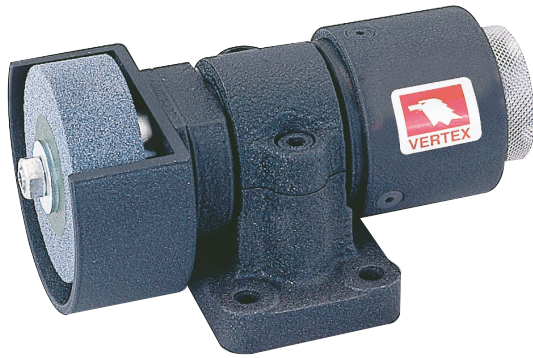




Diamond Wheel Dresser

ORDER NO.V-TDD CODE NO.2012-090

WEIGHT:4.6kgs



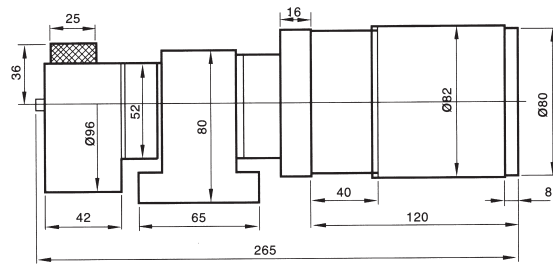
This device is suitably used for Diamond Grinding wheel. The surface is treated with blaze-dried lacquer.

Axis part is fixed with shaft bearing and can be rotated in high speed & with great precision.

- Sand wheel size: Ø75x26x12.7 ØWA80



Motor Type CBN Flat Wheel Dresser



SAND WHEEL SIZE: Ø75x25x12.7 ØWA80

Unit: mm

| ORDER NO | VOLTAGE | RPM | WEIGHT (kgs) | CODE NO. |
|----------|---------|-----|--------------|----------|
| V-TDM-1 | 110V | 129 | 6.5 | 2012-100 |
| V-TDM-2 | 220V | 108 | 7.1 | 2012-101 |

5.5KGS, SINGLE PHASE

0.07HP

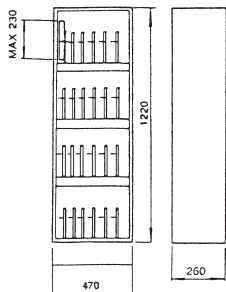


Wheel Hanger

ORDER NO.VWH-24, VWH-32

CODE NO.2013-001, 2013-002

WEIGHT:23.1kgs

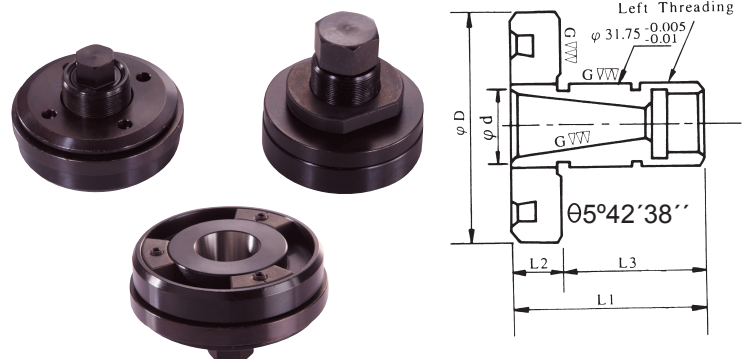


VWH-24 (24pcs)

VWH-32 (32pcs)
653Wx600Dx1460H mm
(excl. wheel height)



Grinding Wheel Flange



Unit: mm

| ORDER NO. | ØD | Ød | L1 | L2 | L3 | Brand Mark | WEIGHT (kg) | CODE NO. |
|-----------|----|--------------|----|----|----|------------|-------------|----------|
| FKT-250 | 78 | 25.7+0/-0.05 | 40 | 13 | 27 | KENT PROTH | 0.8 | 2013-010 |
| FTA-350 | 75 | 25.4+0/-0.05 | 40 | 13 | 34 | TA TUNG | 1 | 2013-011 |