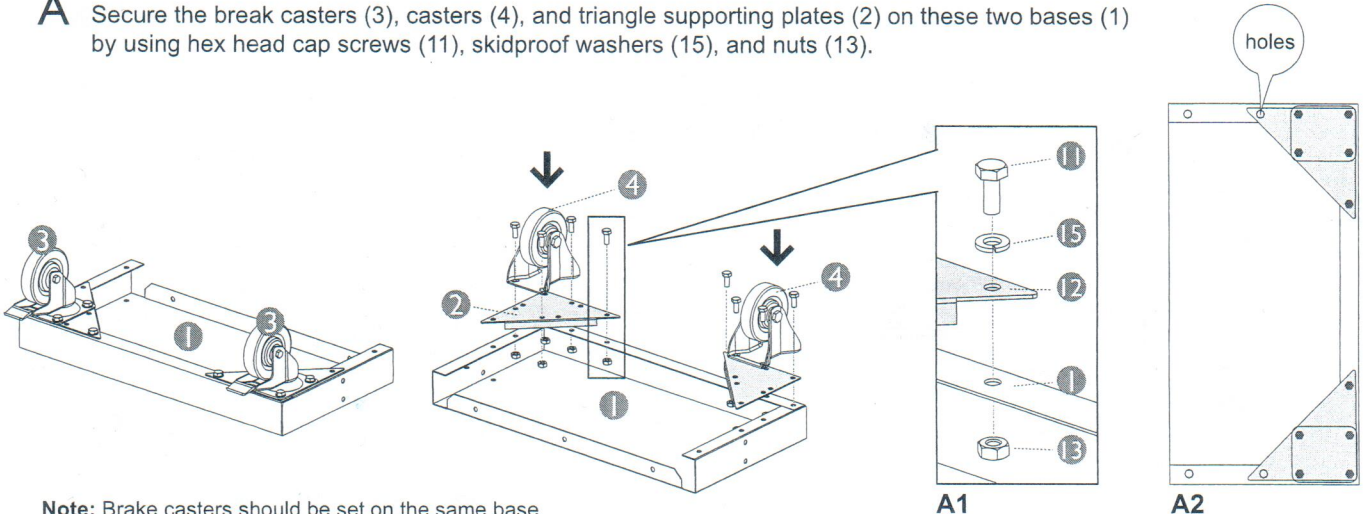


RT-6558 Professional Tool Cart Assembly Instructions

- A** Secure the brake casters (3), casters (4), and triangle supporting plates (2) on these two bases (1) by using hex head cap screws (11), skidproof washers (15), and nuts (13).

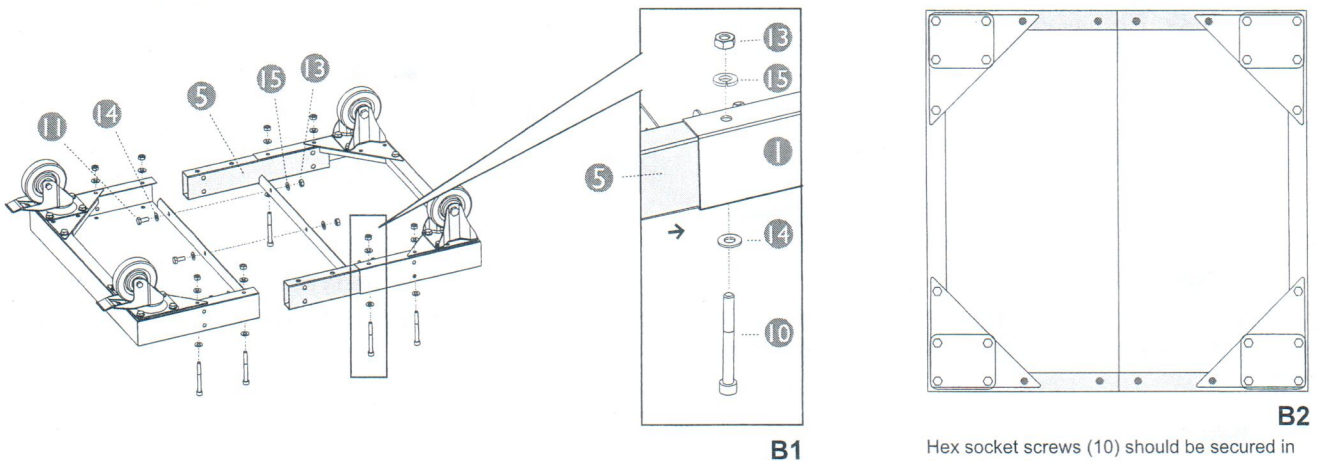


Note: Brake casters should be set on the same base

Hex head cap screws (11) should be secured in the blue positions.

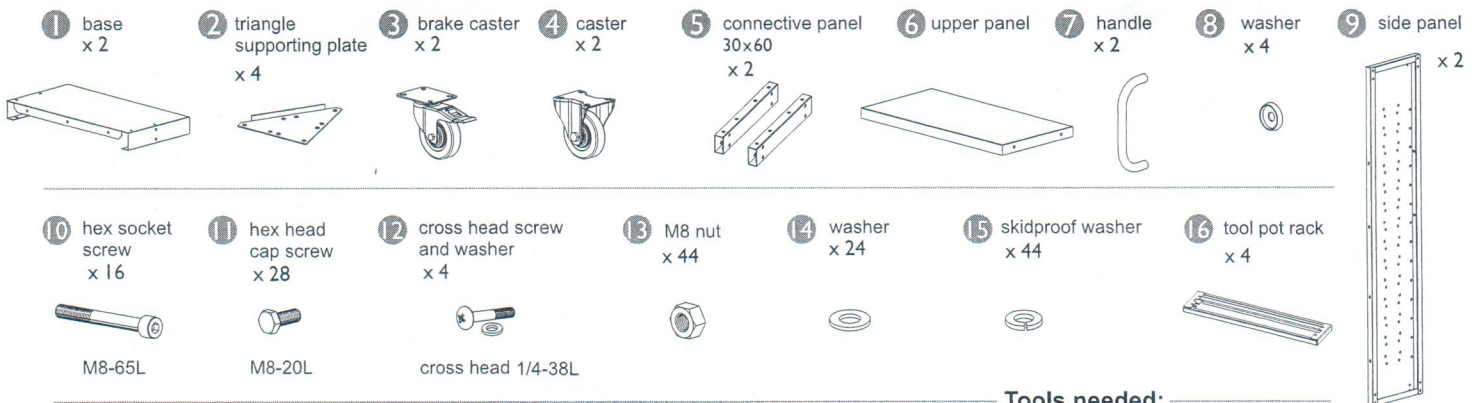
- Note:** 1. Beware of the direction of the casters
2. Leave holes for set up in Step B.

- B**
- Slide the connective panels (5) into two sides of the bases, and secure them with hex socket screws (10), washers (14), skidproof washers (15), and nuts (13).
 - Follow Step B1 to complete the other side, refer to Figure B2.
 - Secure the joints of these two bases (1) by using hex head cap screws (11), washers (14), skidproof washers (15), and nuts (13).



Hex socket screws (10) should be secured in the red positions.

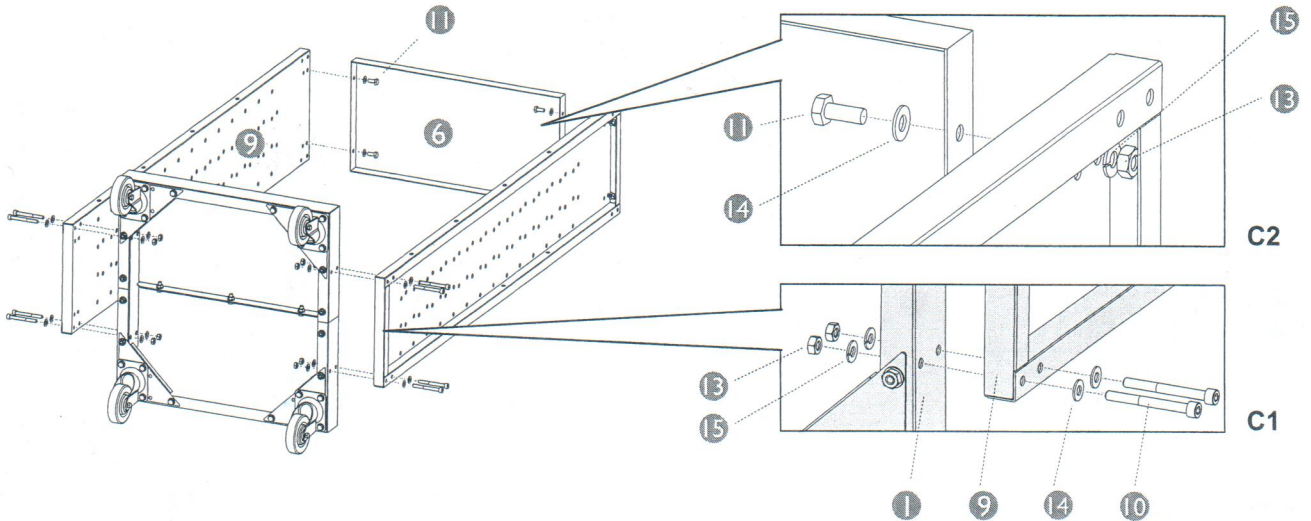
Parts included:



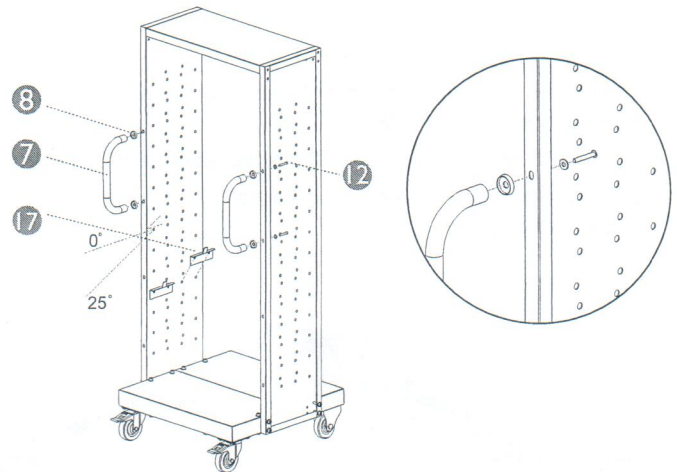
Tools needed:



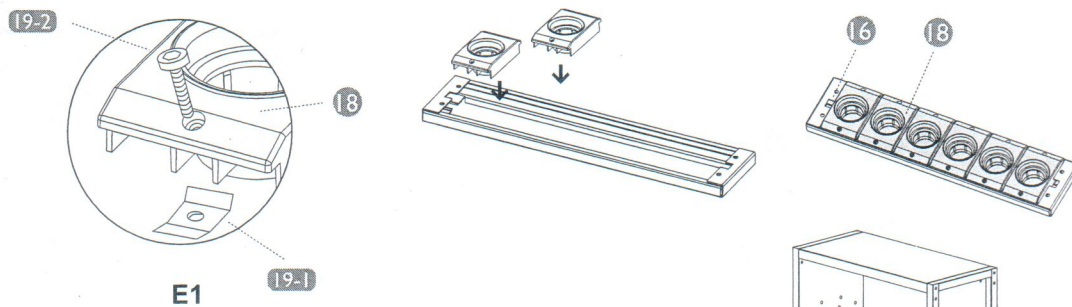
- C**
1. Lie down the completed bases as shown below, and secure the bases (1) with the side panels (9) by using hex socket screws (10), washers (14), skidproof washers (15), and nuts (13).
 2. Secure the upper panel (6) and the side panels (9) by using hex head cap screws (11), washers (14), skidproof washers (15), and nuts (13).



- D**
1. Secure the handle (7) with washers (8) by using cross head screws and washers (12).
Note: The handle should be set on the same side as the brake casters
 2. Put and press the removable adjusters into the holes tightly (17).
Note: The tool pot racks can be placed either horizontally or in a 25 degree inclination.



- E**
1. Tighten the rectangular spacers (19-1) loosely underneath the tool pots (18) by using screws (19-2), refer to Figure E1.
 2. Place the tool pots (18) on the tool pot racks (16) and put the rectangular spacers (19-1) inside the fillisters of the tool pot racks (16), and then fully tighten the screws (19-2).



- F** Place the tool pot racks (16) on the removable adjusters (17) as the height needed.

