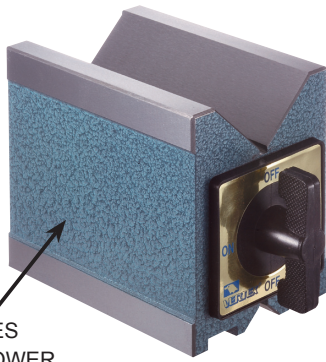


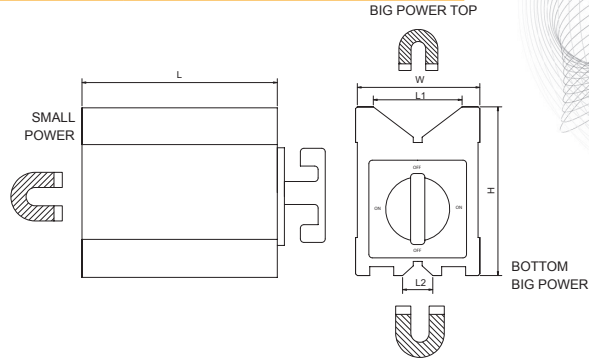
# Magnetic V Block



1 PCS



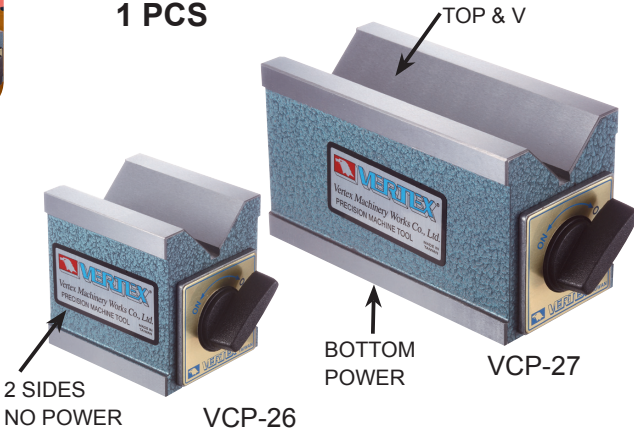
2 SIDES  
NO POWER



ORDER NO.	Magnetic Power(pull)	Dimension					Wt. kgs	CODE NO.
		H	W	L	L1	L2		
VCP-25	70kgs	95.3 3.75"	70 2.76"	101.6 4"	50 1.97"	20 0.75"	3.9	2015-501

# Magnetic V Block

1 PCS

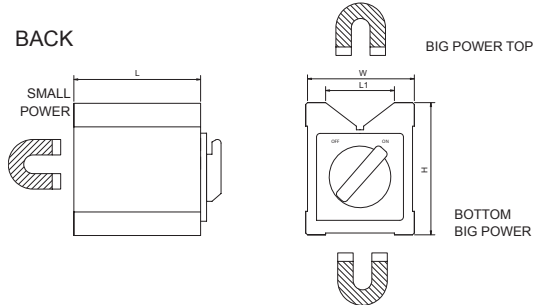


2 SIDES  
NO POWER

VCP-26

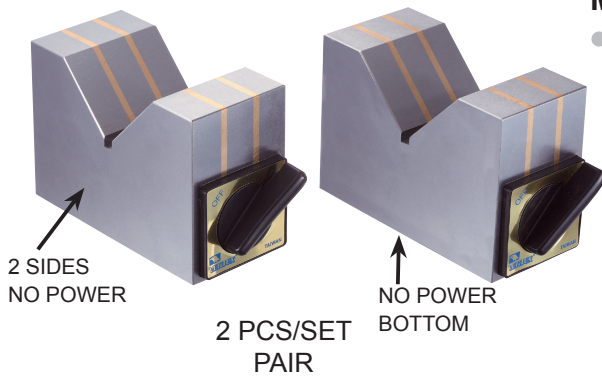
BOTTOM  
POWER

VCP-27



ORDER NO.	Magnetic Power(pull)	Dimension				Wt. kgs	CODE NO.
		H	W	L	L1		
VCP-26	30kgs	73 2.87"	54 2.13"	70 2.76"	38 1.5"	1.8	2015-510
VCP-27	35kgs	73 2.87"	60 2.36"	125 4.29"	38 1.5"	3.3	2015-511

# Magnetic V Block



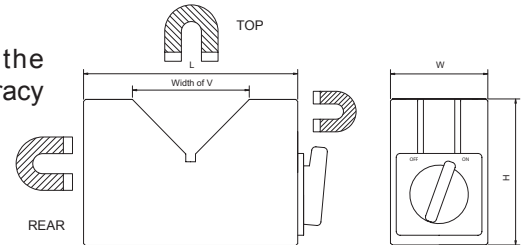
2 SIDES  
NO POWER

2 PCS/SET  
PAIR

NO POWER  
BOTTOM

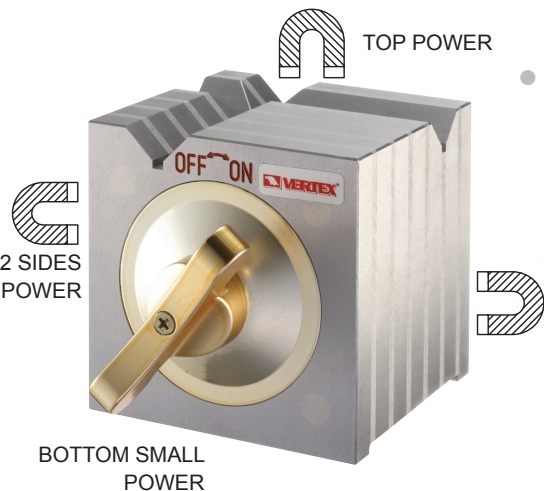
## Magnetic V-Block

- Two pieces finished to the same dimension and accuracy are used together as a set.



ORDER NO.	Magnetic Power(pull)	Dimension			Width of V	Wt. kgs	CODE NO.
		H	W	L			
VCP-29	17kgs	74 2.91"	45 1.77"	110 4.33"	60 2.36"	4.9	2015-521
VCP-30	23kgs	100 3.94"	50 1.97"	150 5.91"	90 3.54"	8.9	2015-522

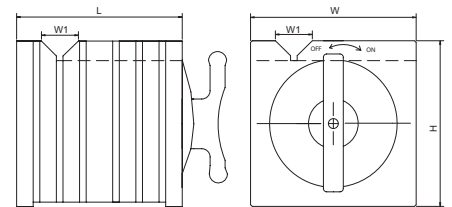
# Magnetic Square Block



2 SIDES  
POWER

BOTTOM SMALL  
POWER

- The V-Blocks and Parallels transfer the magnetism from permanent magnetic chucks. The steel used in all V-Blocks and Parallels is selected for the highest magnetic transfer and is cast integrally with aluminum.



ORDER NO.	Mag Power of V groove	Mag. Power of base	H	W	L	W1	Wt. kgs	CODE NO.
VCP-31	25kgs	50kgs	100 3.94"	100 3.94"	100 3.94"	26 1.02"	6.5	2015-530
VCP-32	50kgs	140kgs	150 5.91"	150 5.91"	150 5.91"	32 1.26"	20.4	2015-531