



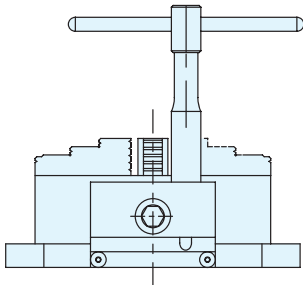
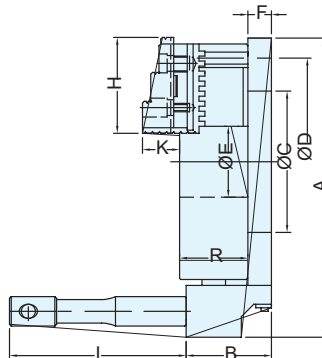
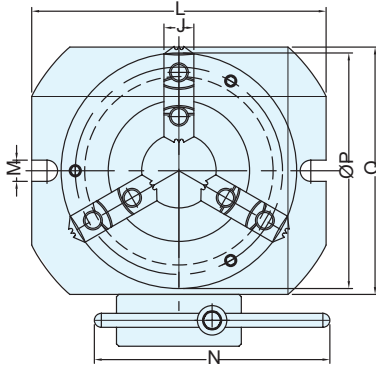
NEW



● VSK REVERSIBLE TYPE



NEW TYPE 3 JAW CHUCK CHANGEABLE



- Convert 3/4 Jaws chuck into clamping chuck.
- Vertical cutting / locking.
- Large workpieces can be held tight with the low profile vise body.
- 3 Jaws can for round workpiece.
- 4 Jaws can for square workpiece & round workpiece.
- The handle is set on the face and does not interfere with the table. A number of chucks can be used together.
- Suit for MC center, Milling & Boring machine.
- Easy to exchange 3/4 Jaws chuck.

SPECIFICATIONS

Unit:mm

ORDER NO.	A	B	C	D	E	F	G	H	I	J	K	L	M	N	P	Q	R	Gnpping Range		Weight (kgs)	CODE NO.
																		O.D Range	I.D Range		
VMJ-150	219	83	90	147	45	20	3-M10	72	150	26	39	215	18	200	165	175	67	Ø8-Ø160	Ø55-Ø150	17.7	5002-260
VMJ-200	254	83	120	176	58	20	3-M10	82	150	28	43	250	18	200	200	200	76.5	Ø8-Ø180	Ø62-Ø170	24.4	5002-261
VMJ-250	327	83	190	250	87	24	3-M12	100	150	35	50	324	18	200	273	283	87	Ø12-Ø260	Ø80-Ø250	48.7	5002-262
VMJ-300	364	83	220	285	105	24	3-M12	114	150	40	56	360	18	200	310	320	96	Ø15-Ø300	Ø90-Ø290	63.7	5002-263

THIN CHUCK